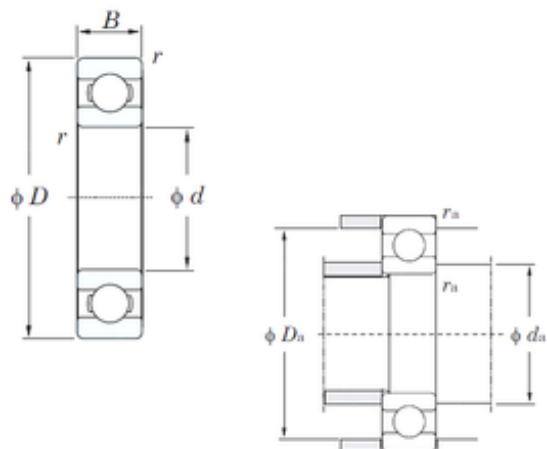




BEARING-SINGAPORE (PTE)LTD.



SKF/NSK/NTN/Koyo Bearing Na 6905 Needle Bearing

Bearing No. 6905

6905 Bearing 2D drawings and 3D CAD models

Size	25x42x9 mm
Bore Diameter	25 mm
Outer Diameter	42 mm
Width	9 mm
d	25 mm
D	42 mm
B	9 mm
C	9 mm
r min.	0,3 mm
da min.	27 mm
Da max.	40 mm
ra max.	0,3 mm
Weight	0,041 Kg
Basic dynamic load rating (C)	7 kN
Basic static load rating (C0)	4,55 kN
(Grease) Lubrication Speed	16000 r/min
(Oil) Lubrication Speed	19000 r/min
Category	Single Row Ball Bearings
Inventory	0.0
Manufacturer Name	KOYO
Minimum Buy Quantity	N/A
Weight / Kilogram	0.044
EAN	0605790086335
Product Group	B00308
Enclosure	Open



BEARING-SINGAPORE (PTE)LTD.

Precision Class	ABEC 1 ISO P0
Maximum Capacity / Filling Slot	No
Rolling Element	Ball Bearing
Snap Ring	No
Internal Special Features	No
Cage Material	Steel
Internal Clearance	C0-Medium
Inch - Metric	Metric
Long Description	25MM Bore; 42MM Outside Diameter; 9MM Outer Race Diameter; Open; Ball Bearing; ABEC 1 ISO P0; No Filling Slot; No Snap Ring; No Internal Special Features
Category	Single Row Ball Bearing
UNSPSC	31171504
Harmonized Tariff Code	8482.10.50.68
Noun	Bearing
Keyword String	Ball
Manufacturer URL	http://www.koyousa.com
Manufacturer Item Number	6905
Weight / LBS	0.098
Outer Race Width	0.354 Inch 9 Millimeter
Bore	0.984 Inch 25 Millimeter
Outside Diameter	1.654 Inch 42 Millimeter
Bearing No.	6905
r(min)	0.3
Cr	8.75
C0r	4.55
Cu	0.230
f0	15.4
Grease lub.	16000



BEARING-SINGAPORE (PTE)LTD.

Oil lub.	19000
da(min)	27
Da(max)	40
ra(max)	0.3
(Refer.)Mass(kg)	0.041